

Rockwell custom kit

No. CK-AG-4

International

P.O. BOX 3090 ALBANY, GEORGIA 31706-3090 PHONE 229/883-1440 FAX 229/439-9790

Custom Kit CK-AG-4
June 27, 1975

HOPPER EMERGENCY SHUTOFF VALVE INSTALLATION

EFFECTIVITY: MODEL S-2R, S/N 1621R AND SUBS

APPROVAL: FAA DER Approved

ELECTRICAL LOAD: Not Applicable.

WEIGHT AND BALANCE: The weight and balance change resulting from installation of this Custom Kit is as follow:

Weight (LBS)	H-ARM (Inches)	H-Moment (In-Lbs)
+4.33	27.0	117

SUPPLY DATA: Parts required to comply with this publication are furnished in kit form. Reference this Custom Kit, aircraft model and factory serial number when ordering Custom Kit No. CK-AG-4 consisting of the following:

Qty	Part No.	Description
1 ea.	80172-3	Hose
1 ea.	81077-1	Angle
1 ea.	81078-1	Bracket
1 ea.	81079-1	Placard
1 ea.	81080	Valve
1 ea.	81081-1	Coupler
1 ea.	90357-1	Placard
2 ea.	AN3C4A	Bolt
4 ea.	AN4C7A	Bolt
2 ea.	AN4C11A	Bolt
2 ea.	AN4C12A	Bolt
6 in.	AN363C428	Nut
1 ea.	AN960-10L	Washer
2 ea.	AN960C10	Washer
6 ea.	AN960C416	Washer

3 ea.	MS20364-1032	Nut
6 ea.	MS21266-IN	Grommet
2 ea.	MS21919H5	Clamp
1 ea.	MS35489-10	Grommet
1 ea.	SPF-3S	Rod End
4 ea.	TY25M	TY-Rap
2 ea.	60332	Gasket
1 ea.	619-069-318	Control Cable
1 ea.	81009-1	Shim
1 ea.	AN315-3	Nut
1 ea.	Custom Kit No. CK-AG-4	Installation Instructions

NOTE

If any problems are encountered while installing this custom kit, contact Rockwell International, General Aviation Division, Customer Service Department, Bethany, Oklahoma 73008.

INSTRUCTIONS:

- a. Assure that hopper is empty of all chemicals.
- b. Remove skin as shown in Figure 1. to facilitate installation of hopper emergency shutoff valve control cable.
- c. Remove gate box fairing.
- d. Disconnect cabin air control, located on right side of cockpit, from cabin air control bracket.
- e. Remove and discard existing cabin air control bracket.
- f. Cut an oblong hole in right inner cockpit skin (see Figure 1.).
- g. Remove and discard existing coupler, coupler adapter and hose from hopper.

NOTE

Save existing clamp for reinstallation.

- h. Install 81080 shutoff valve, 60332 gasket (s), 81009-1 shim (if required), 81081-1 coupler and 81072-3 hose on hopper (see Figure 3.).
- i. Drill a 0.760 (\pm 0.010) inch diameter hole in lower gate box skin for control cable routing (see Figure 4.).
- j. Install 81077-1 angle (see Figure 4.).
- k. Install 81078-1 control cable bracket (see Figure 2.).

- l. Install 619-069-318 control cable, SPF-3S rod end, AN315-3 nut, MS21266-IN grommet and MS35489-10 grommet (see Figure 4.)
- m. Reconnect existing cabin air control cable to control cable bracket (see Figure 2.).
- n. Install 90357-1 placard and 81079-1 placard on control cable bracket (see Figure 2.).
- o. Scribe and make cutout on existing gate box fairing to allow clearance for shutoff valve (see Figure 3.).
- p. Reinstall fuselage skin and gate box fairing.

AIRCRAFT RECORDS:

Make appropriate entry in airplane maintenance records as follows:
Custom Kit No. CK-AG-04 dated June 27 1975, entitled "Hopper
Emergency Shutoff Valve Installation", accomplished (date)

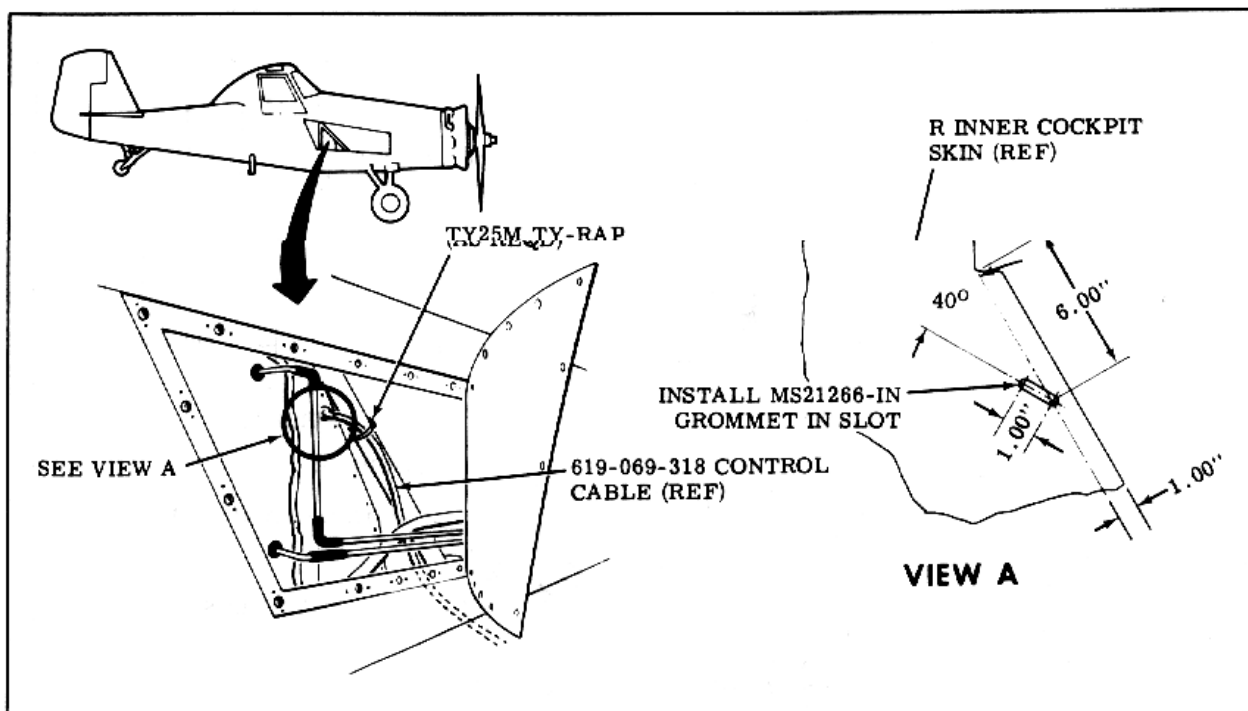


Figure 1.

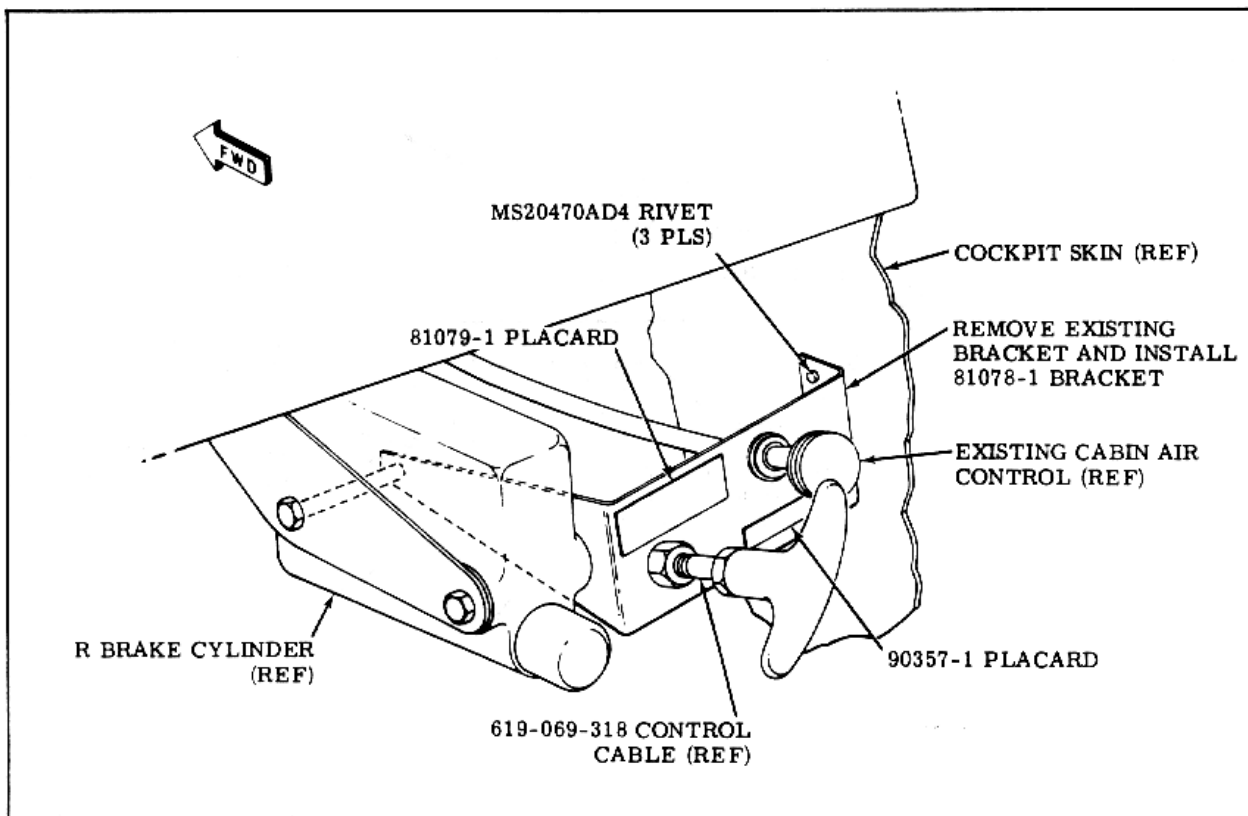


Figure 2.

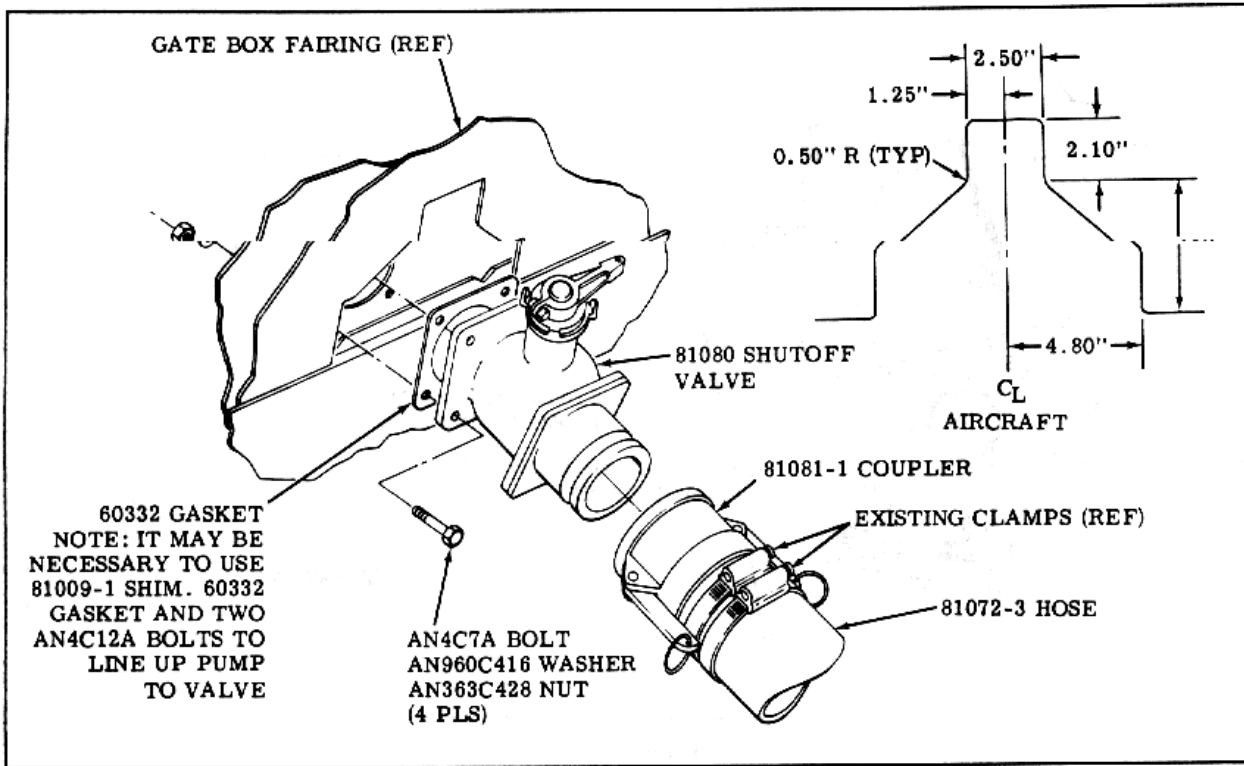


Figure 3.

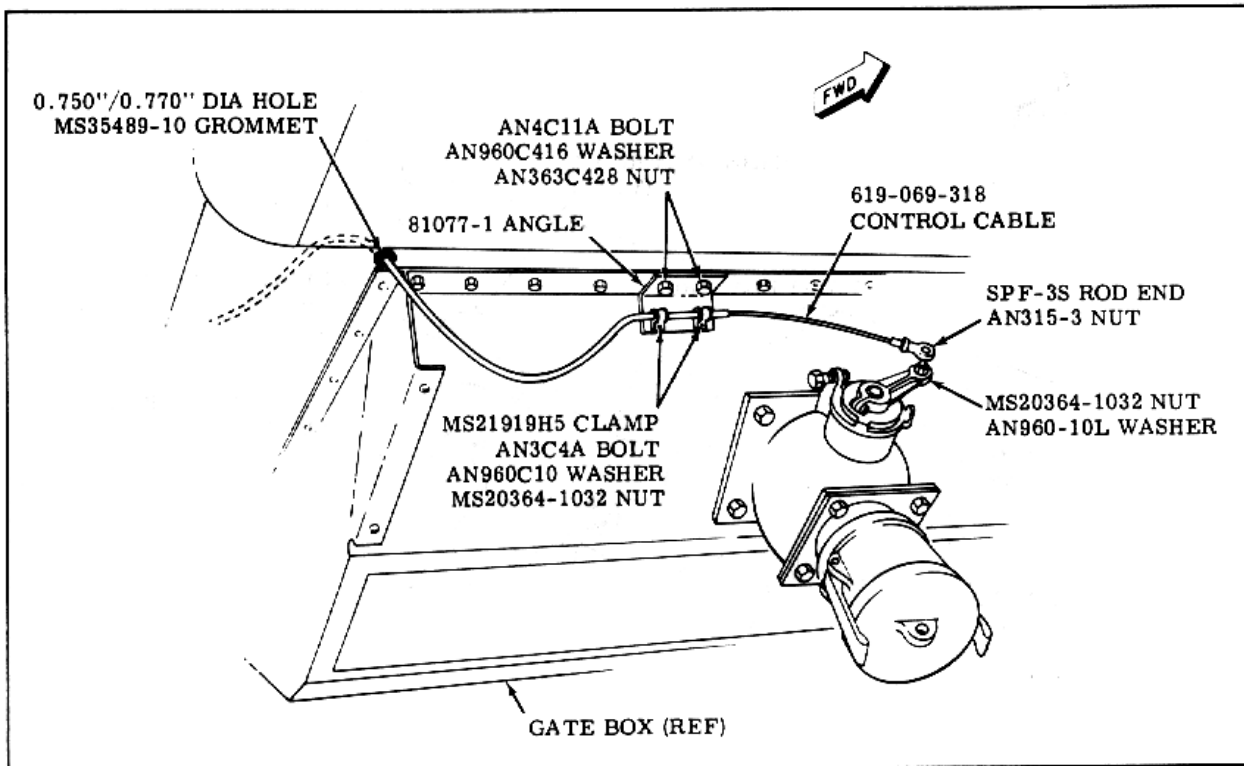


Figure 4.