

Rockwell service letter No. SL-AG-65

International

P.O. BOX 3090 ALBANY, GEORGIA 31706-3090 PHONE 229/883-1440 FAX 229/439-9790

Service Letter No. SL-AG-65

SUPPORT BRACKET FOR REVERSE CURRENT RELAY AND VOLTAGE REGULATOR

EFFECTIVITY: Aero Commander Model S-2R Thrush, Serial No. 1416 thru 1460 that has Service Letter No. 51 incorporated, and Serial No. 1461 thru 1590R which has generator powered electrical system.

REASON FOR PUBLICATION: Service investigation has revealed that the shock mounted isolators supporting the voltage regulator of the Model S-2R may bottom out if aircraft is worked from extremely rough strips. Therefore, a heavier isolator has been incorporated into production and we are making it available to older aircraft.

COMPLIANCE: At owner's discretion.

APPROVAL: FAA DER Approved

INSTRUCTION:

1. Remove control – generator sub assembly, P/N 90126-1 and disconnect all related wires, reference Figure 1.
2. Remove voltage regulator and reverse current relay from support – voltage regulator, P/N 90125-1.
3. Install reverse current relay onto support– voltage regulator, P/N 90125-3, with original hardware, reference Figure 2.
4. Install voltage regulator onto support – voltage regulator, P/N 90125-3, with new hardware, reference Figure 2.
5. Remove regulator support brackets, P/N 90293-1 & -2, from firewall, reference Figure 1.

6. Locate P/N 90349-2 regulator support bracket assembly by .250 diameter hole. Then back drill three (3) .250 diameter holes and secure with existing hardware, reference Figure 3.
7. Install doubler, P/N SKT-62, as per Figure 3.
8. Locate and install 90349-1 regulator support bracket assembly with hardware supplied, reference Figure 3.
9. Install control – generator sub assembly which consists of reverse current relay, voltage regulator and support – voltage regulator, 90125-3, onto regulator support brackets assembly, P/N 90349-1 & -2, reference Figure 4.
10. Connect all wires as shown in Figure 2 and Schematic I. (NOTE: If 90176-153 is connected to oil tank support tube, relocate as shown).
11. Test circuit.

SUPPLY LIST: The following parts may be ordered from your nearest Aero Commander Dealer, Code 5.

<u>QTY</u>	<u>P/N</u>	<u>DESCRIPTION</u>
1	90349-1	Regulator Support Bracket Assembly, L/H
1	90349-2	Regulator Support Bracket Assembly, R/H
1	90125-3	Support Bracket Voltage Regulator
1	SKT-62	Doubler
4	AN526-832R16	Screw
4	AN960-8L	Washer
4	MS20364-832	Nut
4	NAS1057T3-038	Spacer
4	AN4-6A	Bolt
4	AN960-416	Washer
4	MS20365-428	Nut
5	AN526-632R6	Screw
5	AN960-6	Washer
5	MS20365-632	Nut
	#700	Sealer; Firewall – Coast Pro-Seal

WEIGHT AND BALANCE: Not Applicable

AIRCRAFT RECORD: Make appropriate entry in aircraft permanent maintenance records as follows:

Service Letter N0. SL-AG-65, entitled “Support Bracket for Reverse Current Relay and Voltage Regulator”, accomplished (date)_____.

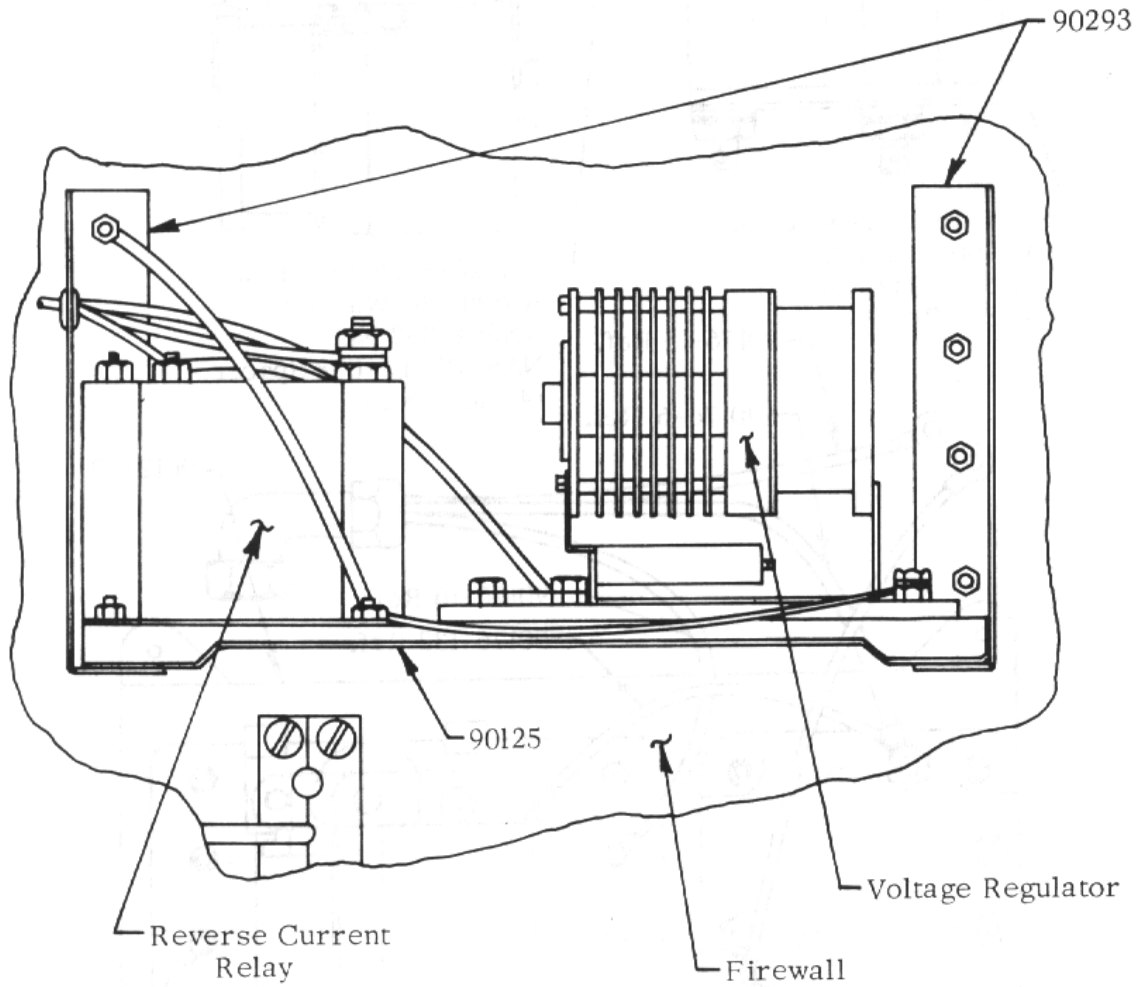
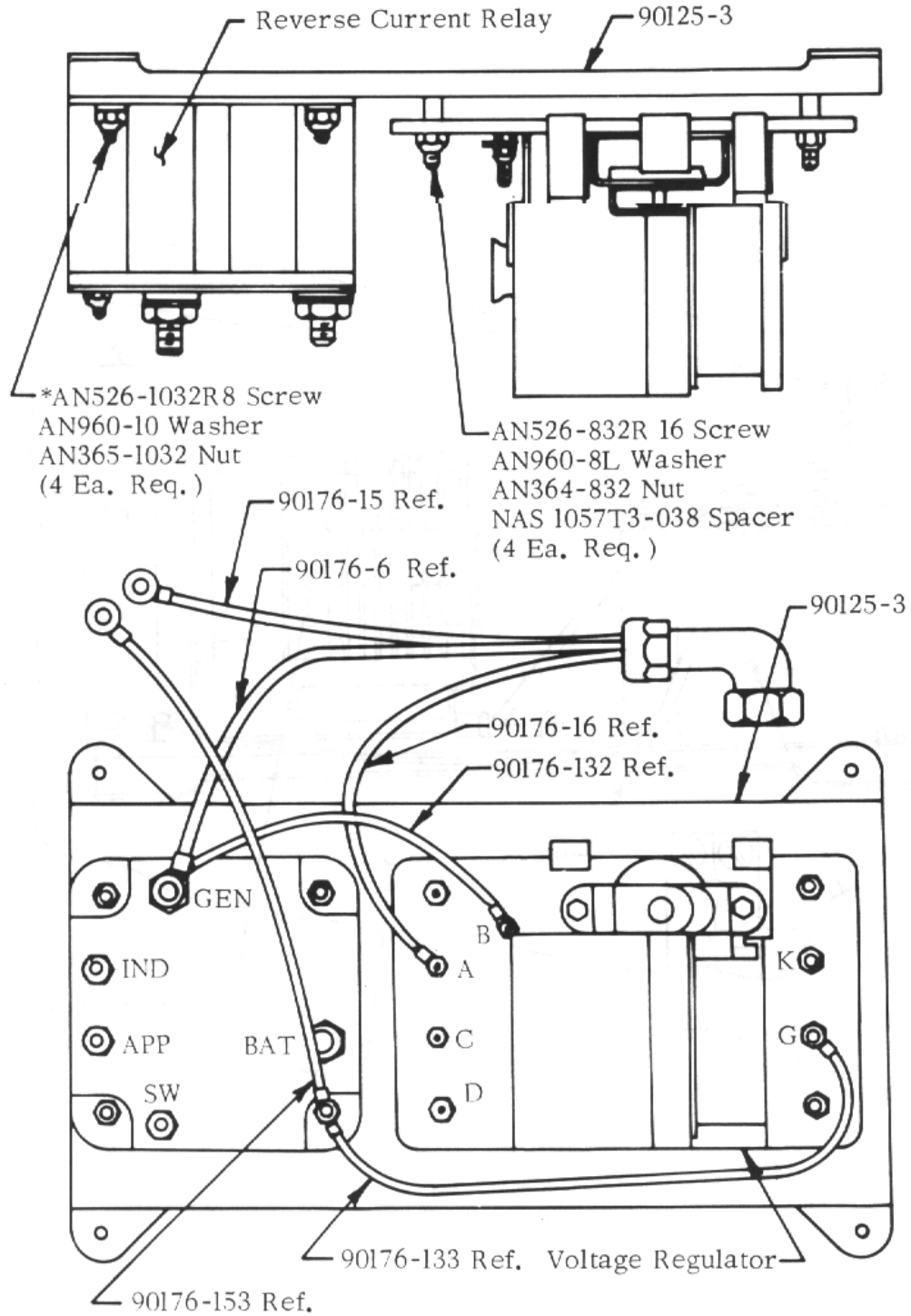


Figure 1

SERVICE LETTER NO. 65



*Existing Hardware

Figure 2

SERVICE LETTER NO. 65

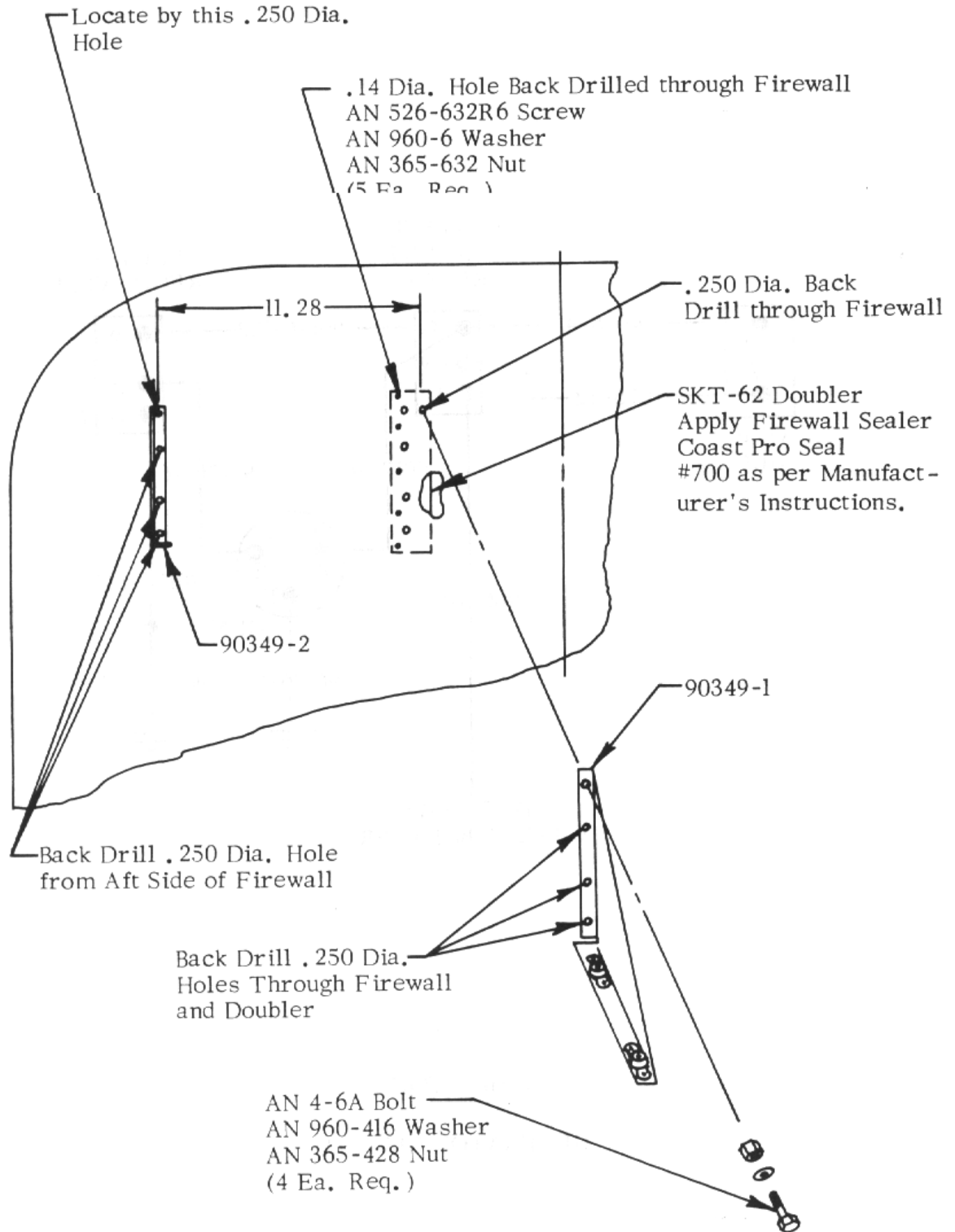
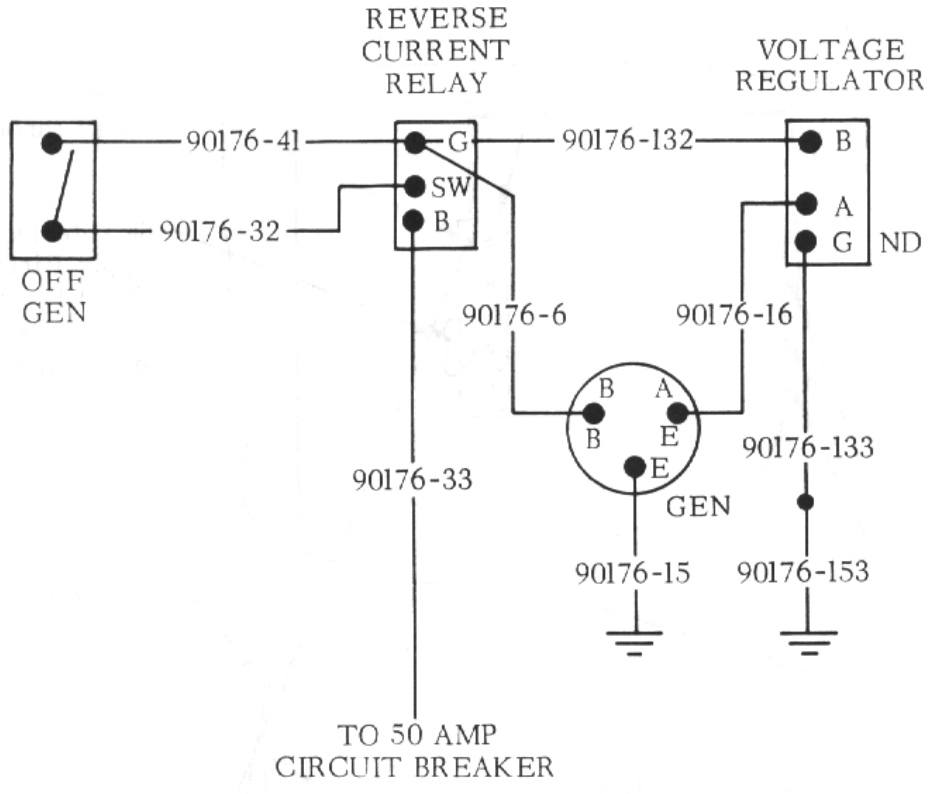


FIGURE 3

(FRONT VIEW OF FIREWALL)

SERVICE LETTER NO. 65



SCHEMATIC I
GENERATOR CIRCUIT