

Rockwell service letter No. SL-AG-68

International

P.O. BOX 3090 ALBANY, GEORGIA 31706-3090 PHONE 229/883-1440 FAX 229/439-9790

Service Letter No. SL-AG-68
December 3, 1974

SPRAY PRESSURE LINE FLEX HOSE

EFFECTIVITY: MODEL S-2R, SERIAL NO'S 1831R THRU 2071R

REASON FOR PUBLICATION: In some instances, certain chemicals have affected the flex hose between the line strainer and the spray pressure gage line. This Service Letter is being issued to provide a better flex hose to alleviate this situation.

COMPLIANCE: At owner's discretion.

NOTE

IF ANY PROBLEMS ARE ENCOUNTERED WHILE COMPLYING WITH THIS SERVICE LETTER, CONTACT ROCKWELL INTERNATIONAL, GENERAL AVIATION DIVISION, CUSTOMER SERVICE DEPARTMENT, BETHANY, OKLAHOMA 73008

APPROVAL: FAA DER Approved

INSTRUCTION:

- a. Assure that valve assembly, forward of line strainer, is empty of chemicals.
- b. Remove and discard existing flex hose from line strainer assembly (see Figure 1.).
- c. Install 80809-5 hose using existing clamps (see Figure 1.).
- d. Fill out and mail compliance card.

SUPPLY DATA: Parts required to comply with this Service Letter may be purchased through you nearest Thrush Commander Distributor.

QTY	PART NO.	DESCRIPTION
1 ea.	80809-5	Hose
1 ea.		Compliance Card
1 ea.	No. SL-AG-68	Service Letter

ELECTRICAL LOAD: Not Applicable

WEIGHT AND BALANCE: Not Applicable

RECORD COMPLIANCE: Make appropriate entry in airplane permanent maintenance records as follows:

Service Letter NO. SL-AG-68 dated December 3, 1974, entitled "Spray Pressure Line Flex Hose", accomplished (date).

SERVICE LETTER NO. SL-AG-68

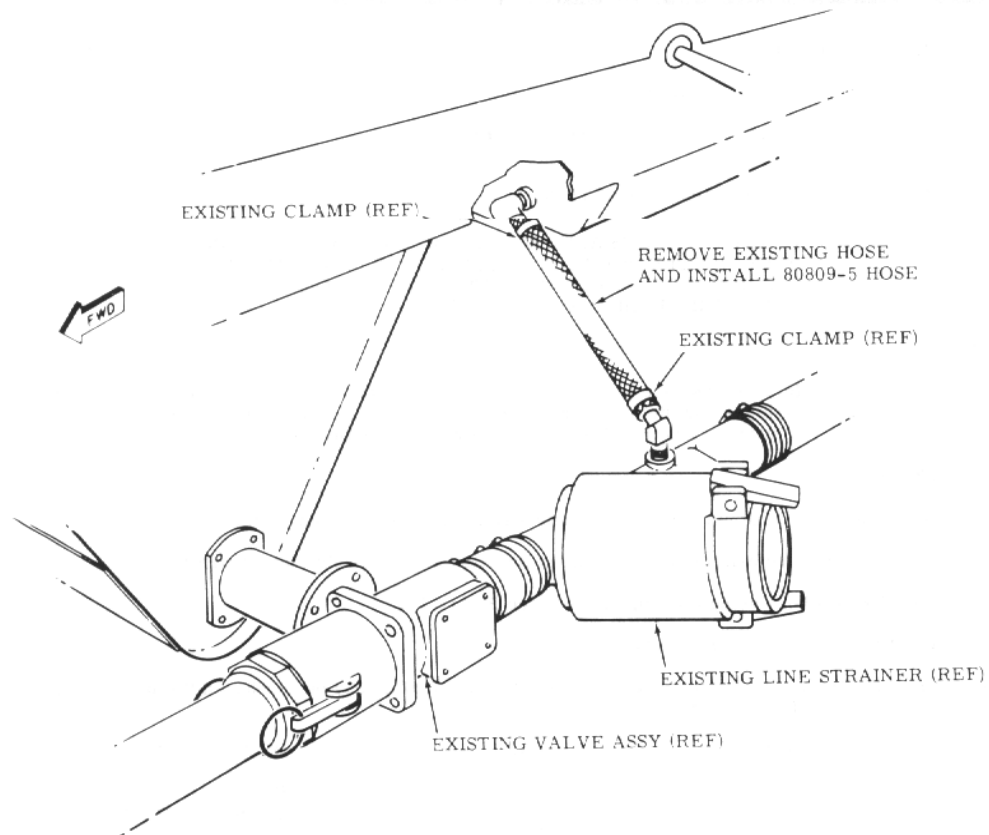


Figure 1.